

REFERENCE

CATALOGUE LIBRARY

DEC 16 1942

ALL PREVIOUS CATALOGUES CANCELLED.

C526.11085

T7

1897

MHT

Instruments are supposed to be delivered in London; when required to be sent elsewhere, the greatest care will be taken in packing, but Messrs. TROUGHTON & SIMMS will not hold themselves responsible for damage incurred during transit.

TERMS—NET CASH.

TROUGHTON & SIMMS,

138 FLEET STREET, LONDON.

[Catalogue]

1897.

LEVELS.

- | | | |
|----|--|---------|
| | | £ s. d. |
| 1. | Pocket and Block Levels of various sizes—from 3s. 6d. to | 2 10 0 |

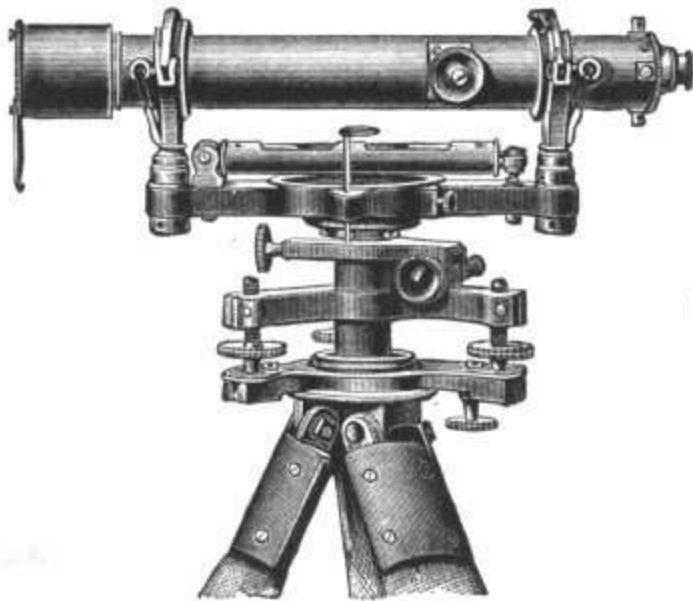


Fig. 1.

- | | | | | | | |
|----|--|-----|-----|----|----|---|
| 2. | Twelve-inch Y Level, without Compass | ... | ... | 12 | 0 | 0 |
| 3. | Ditto, with Compass (Fig. 1) | ... | ... | 13 | 10 | 0 |
| 4. | Fourteen-inch Y Level, without Compass | ... | ... | 12 | 10 | 0 |
| 5. | Ditto, with Compass... | ... | ... | 14 | 0 | 0 |



51626

Levels—continued.

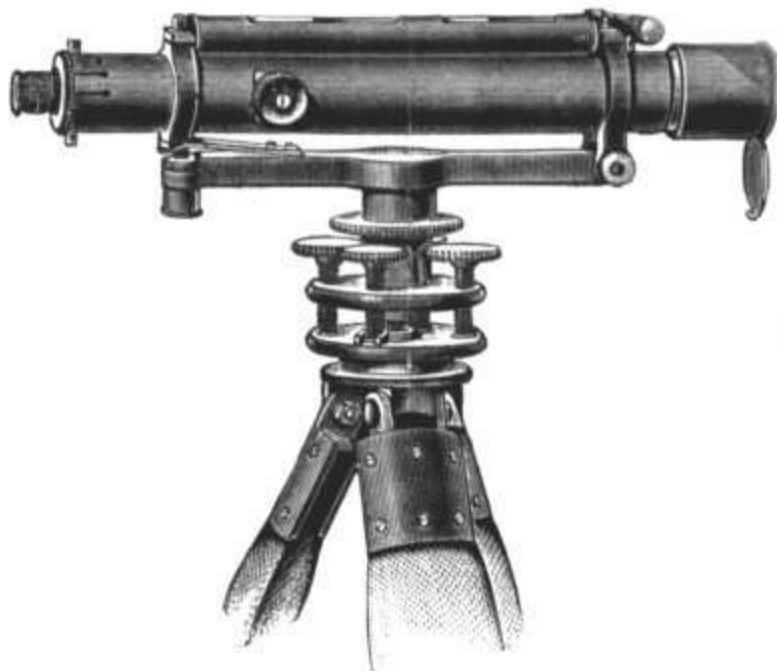


Fig. 2.

				£	s.	d.
6.	Ten-inch Troughton & Simms's Pattern Level, without					
	Compass (Fig. 2)	12	0	0
7.	Ditto ditto with Compass	13	10	0
8.	Twelve-inch Troughton & Simms's Pattern Level,					
	without Compass	12	10	0
9.	Ditto ditto with Compass	14	0	0
10.	Fourteen-inch Troughton & Simms's Pattern Level,					
	without Compass	13	0	0
11.	Ditto ditto with Compass	14	10	0
12.	Sixteen-inch Troughton & Simms's Pattern Level,					
	without Compass	15	0	0
13.	Ditto ditto with Compass	16	10	0

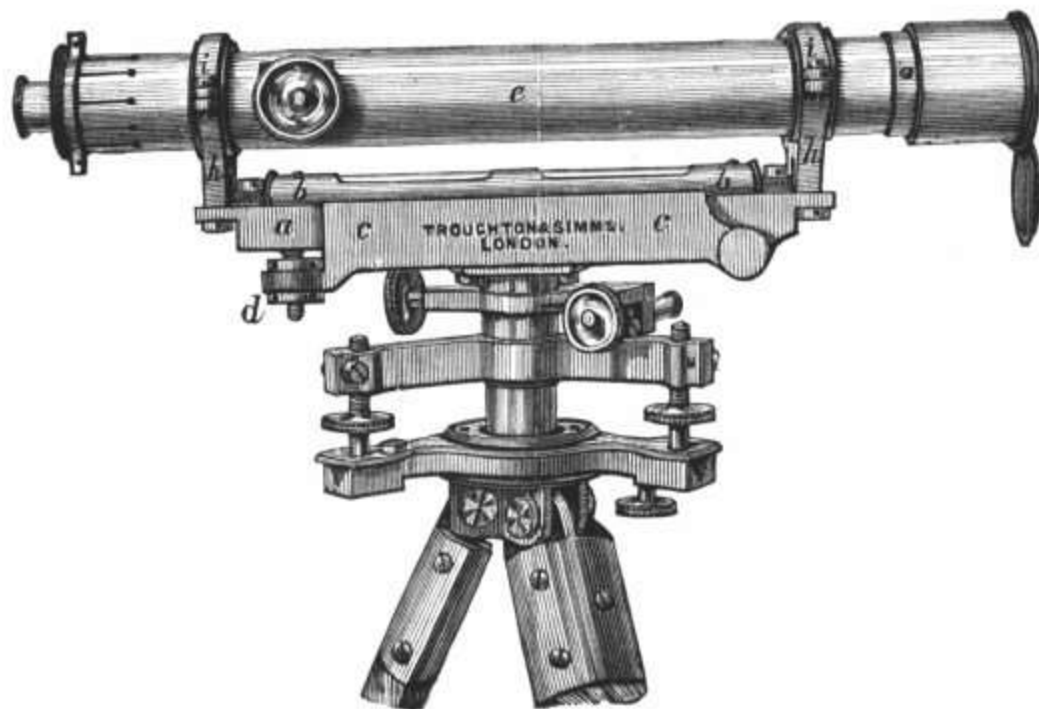


Fig. 2a.

13A.	Fourteen-inch Charlton Model Level (Fig. 2a), without					
	Compass	13	0	0

Nos. 10, 11 and 13A are supplied with anallatic lens and distance wires for an extra charge of £1.

Levels—continued.

Levels are supplied with either "three screws" or "parallel plates and four screws," at the option of the purchaser, for the same price.

Y Levels, Nos. 2 to 5 inclusive, and Charlton Model Level 13A are supplied with three screws, and Troughton & Simm's Levels Nos. 6 to 13, with four screws and parallel plates, unless the contrary be stated when ordered.

Special prices given for Levels of descriptions other than the above.

LEATHER SLING CASES FOR LEVELS.

	£	s.	d.		£	s.	d.
Ten-inch, second quality ...	0	19	0	Best quality ...	1	8	0
Twelve-inch do. ...	1	0	0	do. ...	1	10	0
Fourteen-inch do. ...	1	1	0	do. ...	1	11	6
Sixteen-inch do. ...	1	4	0	do. ...	1	16	0

THEODOLITES.

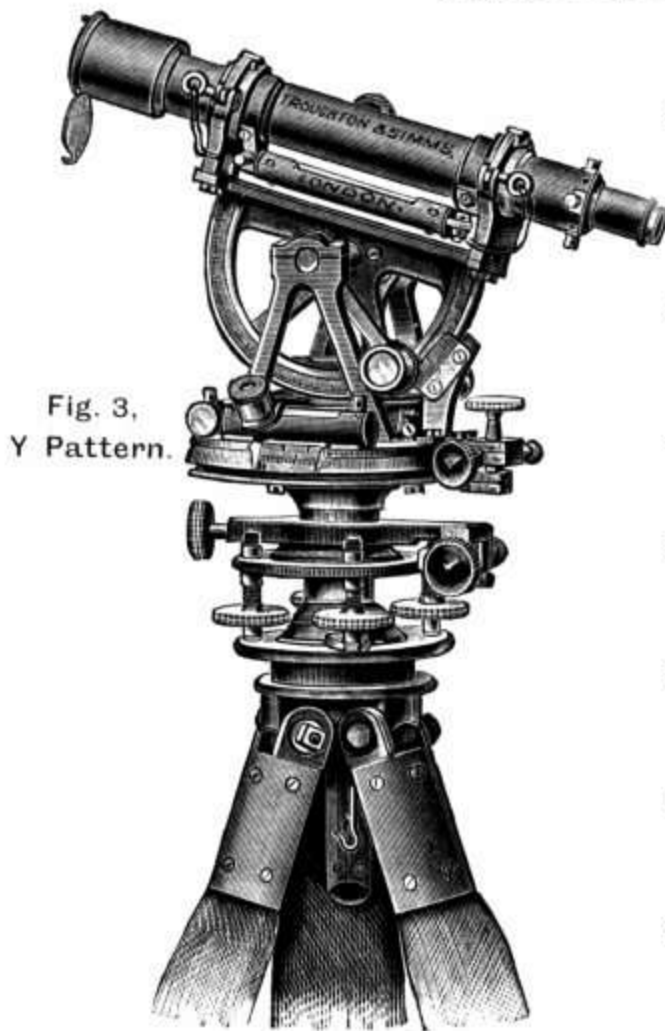


Fig. 3,
Y Pattern.

	£	s.	d.
14. Four-inch Theodolite, reading to 1', with parallel plates ..	21	0	0
15. Five-inch Theodolite, reading to 1', with parallel plates ..	25	0	0
16. Five-inch Theodolite, reading to 1', with long compass and parallel plates ..	25	0	0
17. Six-inch Theodolite, reading to 20'', with parallel plates ..	28	0	0
18. Four-inch Theodolite, reading to 1', three screws and locking plate ..	21	10	0
19. Five-inch Theodolite, reading to 1', three screws and locking plate ...	25	10	0
20. Five-inch Theodolite, reading to 1', long compass, three screws and locking plate ..	25	10	0
21. Six-inch Theodolite, reading to 20'', three screws and locking plate ..	28	10	0

Theodolites—continued.



Fig. 4.—Small Transit Pattern.

	£	s.	d.
22A. Three-inch Transit Theodolite, reading to 1', open frame telescopic stand	22	10	0
22. Four-inch Transit Theodolite, reading to 1', round stand	26	0	0
23. Five-inch do. do. do. to 1', circular compass	28	0	0
24. Ditto do. do. do. to 30'', with circular compass, diagonal eye-piece, axis level and lantern...	31	0	0
25. Five-inch Transit Theodolite, reading to 1', with long compass	28	0	0
26. Five-inch do. do. reading to 30'', long compass, diagonal eye-piece, axis level and lantern ...	31	0	0
27. Six-inch Transit Theodolite, reading to 20'' circular compass	33	0	0
28. Six-inch Transit Theodolite, reading to 20'' long compass	33	0	0
29. Six-inch Transit Theodolite, reading to 10'', circular compass, axis level lantern and diagonal eye-piece ...	36	10	0
30. Six-inch Transit Theodolite, reading to 10'', long compass, axis level lantern and diagonal eye-piece ...	36	10	0

The above Transit Theodolites may be obtained with parallel plates or three screws and locking plate, at the desire of the purchaser, the price being the same.

LEATHER SLING CASES FOR THEODOLITES.

Y Pattern.

	£	s.	d.		£	s.	d.
Four-inch, second quality ...	1	1	0	Best quality ...	1	11	6
Five-inch do. ...	1	4	0	do. ...	1	16	0
Six-inch do. ...	1	12	0	do. ...	2	8	0

Small Transit Pattern.

Four-inch, second quality ...	1	4	0	Best quality ...	1	16	0
Five-inch do. ...	1	10	0	do. ...	2	5	0
Six-inch do. ...	1	14	0	do. ...	2	10	0

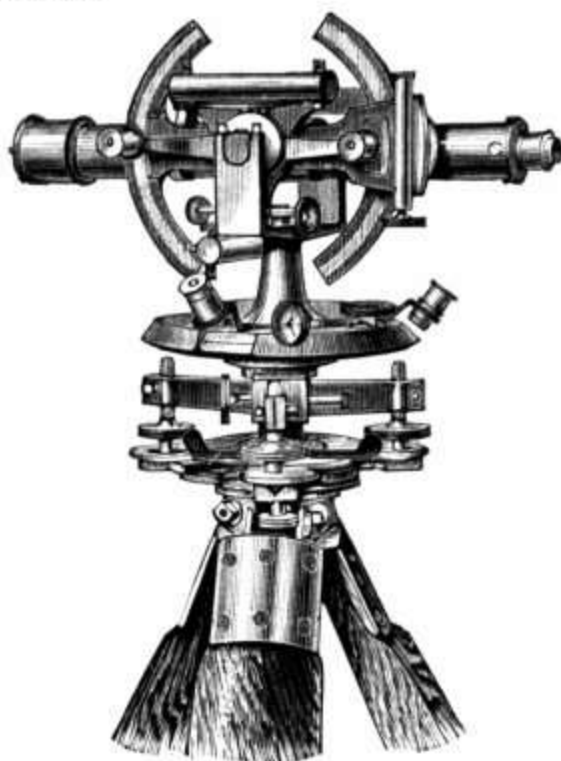
Theodolites—*continued.*

Fig. 5.—"Everest" Pattern.

				£	s.	d.
31.	Four-inch	Everest	Theodolite, reading to 1'	...	22	0 0
32.	Five-inch	do.	do. do. to 1'	...	25	0 0
33.	Six-inch	do.	do. do. to 20"	...	30	0 0
34.	Seven-inch	do.	do. do. to 10"	...	36	0 0
35.	Ten-inch	do.	do. do. to 10", with axis level, lantern and open framed stand	...	60	0 0

Open framed stand to any previously mentioned Vernier Theodolite under 10 inches, extra £1.

LEATHER SLING CASES.

Everest Pattern.

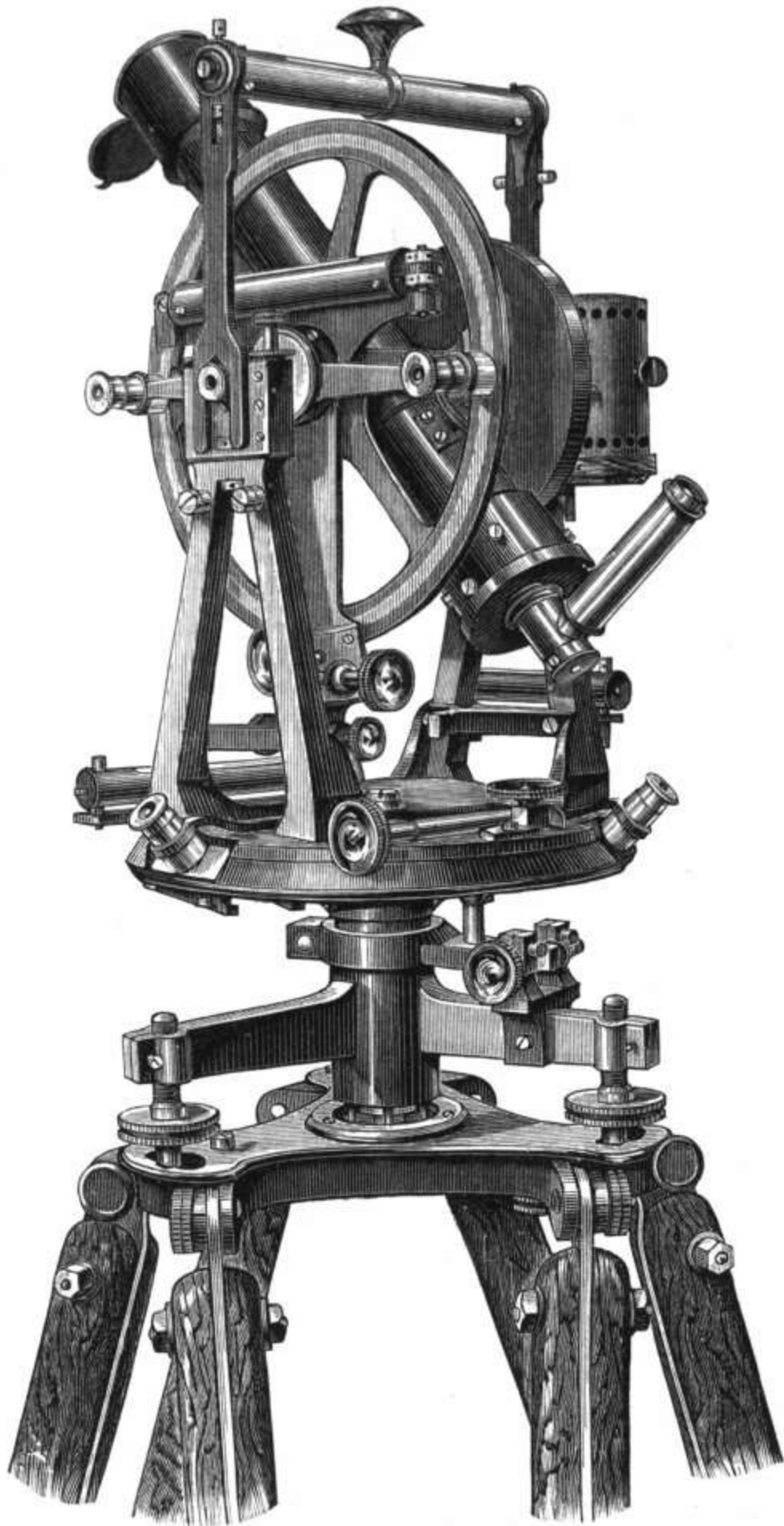
		£	s.	d.		£	s.	d.
Four-inch, second quality	...	1	4	0	Best quality	...	1	16 0
Five-inch do.	...	1	8	0	do.	...	2	2 0
Six-inch do.	...	1	10	0	do.	...	2	5 0

Large Transit Theodolite Pattern.—Fig. 6.

36.	Seven-inch Transit Theodolite, reading to 10", long compass, axis level, lantern, diagonal eye-piece, and open frame stand	50	0 0
36A.	Seven-inch Transit Theodolite, as above, supplied with micrometer microscopes instead of verniers, each space on micrometer head equivalent to 10", so that by estimation 1" may be obtained...	70	10 0
37.	Eight-inch Transit Theodolite, reading to 10", long compass, axis level, lantern, diagonal eye-piece, open frame stand	60	0 0
37A.	Ditto, ditto, with micrometers, as in 36A	76	10 0
37B.	"Fig. 8a." The same as 37A, with the addition of micrometer at eye-end of telescope, to be used either in Z.D. or R.A., fitted with level for the determination of latitudes, by Talcott's method, &c.	85	0 0

Theodolites—continued.

Fig. 6.



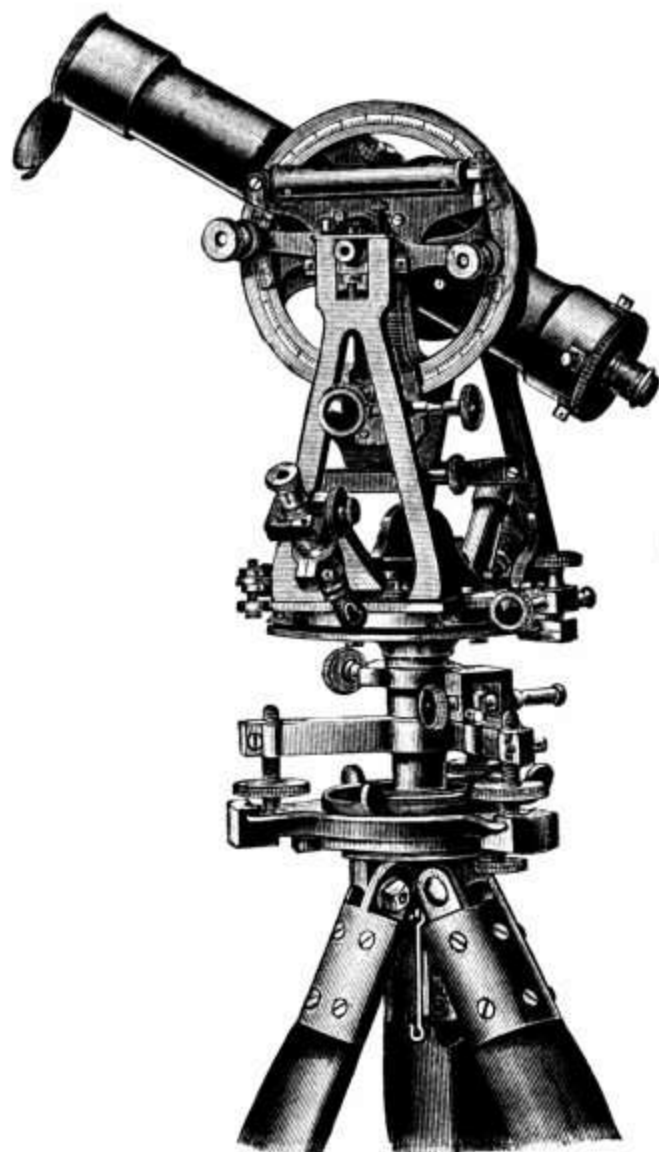


Fig. 6a.

Old Model Transit, with large Telescope without Compass.

	£	s.	d.
38. Five-inch Transit Theodolite, reading to 10" by Verniers, with extra large telescope, axis level, lantern and diagonal eye-piece, with three screws and locking plate, without compass, round stand ...	33	0	0
39. Six-inch Transit Theodolite, reading to 10" by Verniers, large telescope, axis level, lantern and diagonal eye-piece, with three screws and open frame stand ...	40	0	0
38A. Five-inch Transit Theodolite, with horizontal circle only, read by two micrometer microscopes to 10", supplied with two eye-pieces, furnished with axis level, without lamp, &c., round stand ...	32	0	0
38B. Five-inch Transit Theodolite, with horizontal circle as above, vertical circle, read by two Verniers to 10" Fig. 6a supplied with axis level, lamp, &c. ...	37	0	0
38c. Five-inch Transit Theodolite, with horizontal circle as above, vertical circle, read by two micrometer microscopes to 10", supplied with axis level, lantern, &c., open frame stand ...	42	0	0
39A. Six-inch Transit Theodolite, with horizontal circle only, read by two micrometer microscopes to 10", supplied with two eye-pieces, furnished with axis level, but without lantern and accessories, round stand ...	37	0	0
39B. Six-inch Transit Theodolite, with horizontal circle as above, vertical circle, read by two Verniers to 10", supplied with axis level, lantern, &c., open frame stand ...	43	0	0
39c. Six-inch Transit Theodolite, with horizontal and vertical circles, each read by two micrometer microscopes to 10", supplied with axis level, lantern, &c., open frame stand ...	47	0	0

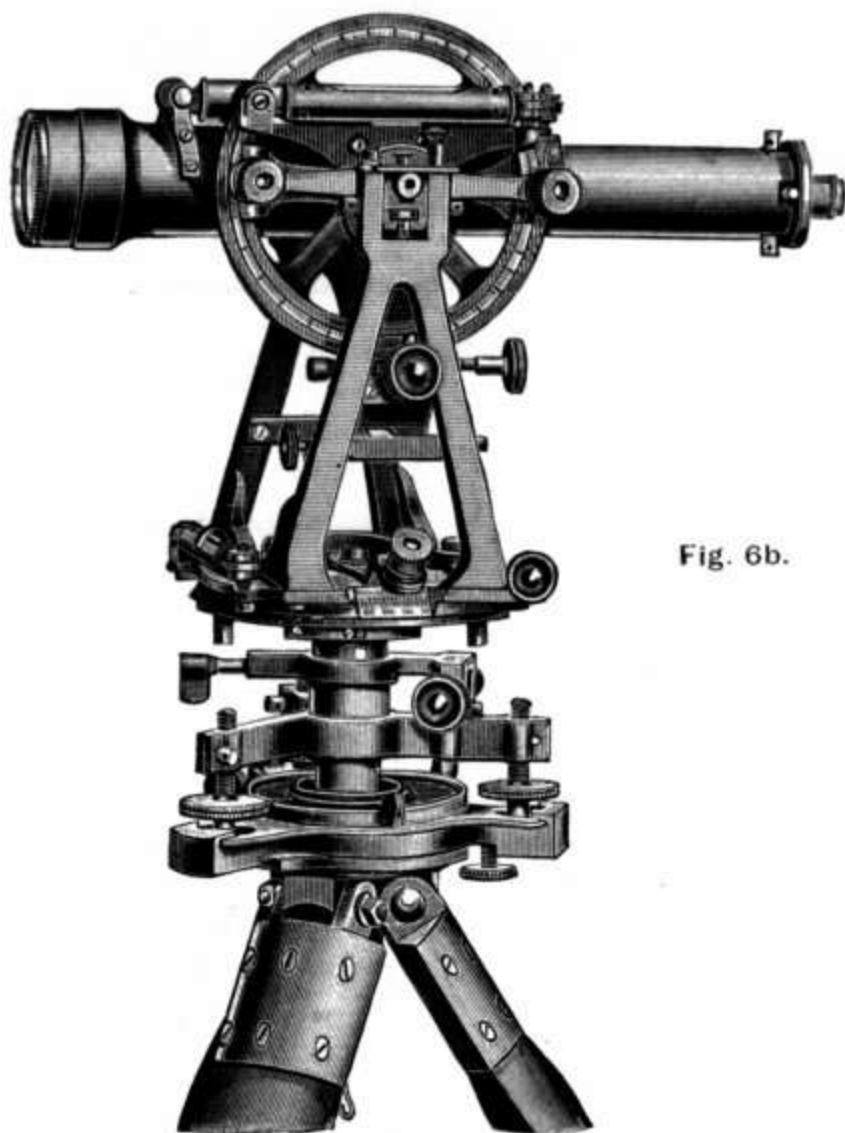


Fig. 6b.

					£	s.	d.
40A.	Three-inch Tacheometer,	open frame telescopic stand			25	0	0
*40.	Four-inch ditto	ordinary round stand, Fig. 6b			28	0	0
*41.	Five-inch ditto do.			31	0	0
42.	Six-inch ditto do.			35	0	0
Gillman's patent Tacheometer diagrams for the rapid reduction of Tacheometer readings ... each					0	7	6

LEATHER SLING CASES.

Old Model Transit.

			£	s.	d.					
Five-inch, with verniers,	} ...	second quality	1	12	0	Best quality	2	8	0	
...										
Six-inch, ditto, ditto	...		1	15	0	do.	2	12	0	
Five-inch, with microscopes			2	18	0	4	7	0
Six-inch ditto			3	3	0	4	12	0

Tacheometers.

Three-inch, second quality		1	1	0	Best quality	1	11	6
Four-inch ditto		1	4	0	do.	1	16	0
Five-inch ditto		1	10	0	do.	2	5	0
Six-inch ditto		1	17	0	do.	2	15	0

* Nos. 40 and 41 are made with parallel plates when so ordered.



Fig. 6c.

Tacheometers are graduated either to 400^g or 360° at the option of the purchaser. The 4", 5", and 6", are also supplied either of the model 6b or 6c; in the former case there is a little advantage as to aperture of object glass, rigidity, and weight; in the latter the instruments will read to the zenith; both telescopes pass through the uprights.

	£	s.	d.
43. Ordinary round stand for a 3-inch Transit Theodolite...	1	10	0
43A. An ordinary tripod stand for Level or Theodolite, to suit a Level from ten inches up to sixteen inches, and a Theodolite from 4 inches to 6 inches ...	2	0	0
43B. Tripod stand with centreing head (Fig. 7a) ...	3	0	0
44. An open frame stand, with traversing or centreing head (Fig. 7) for Theodolite up to six-inch ...	4	10	0

Fig. 7.

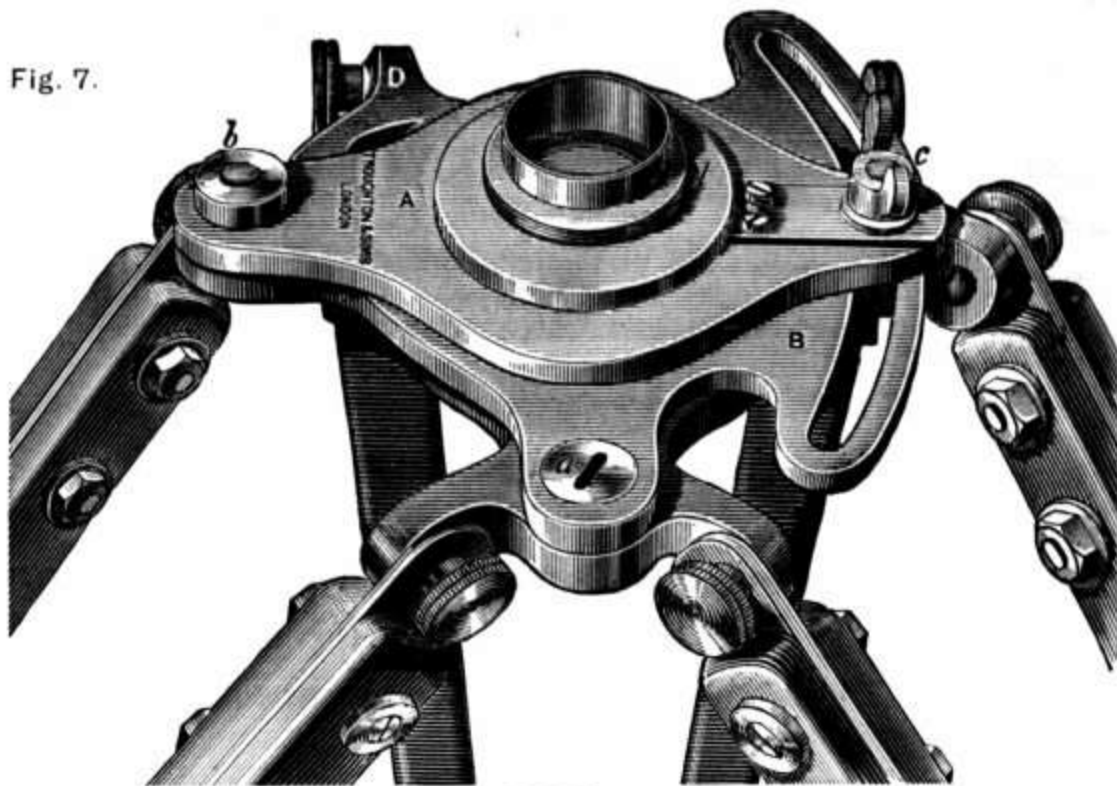
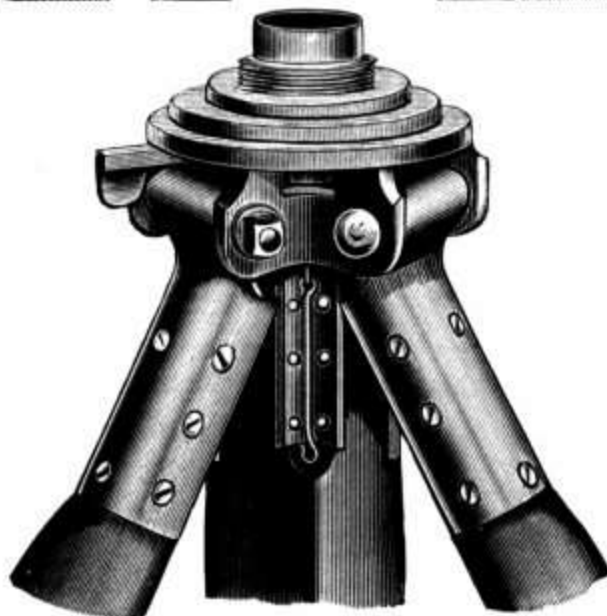


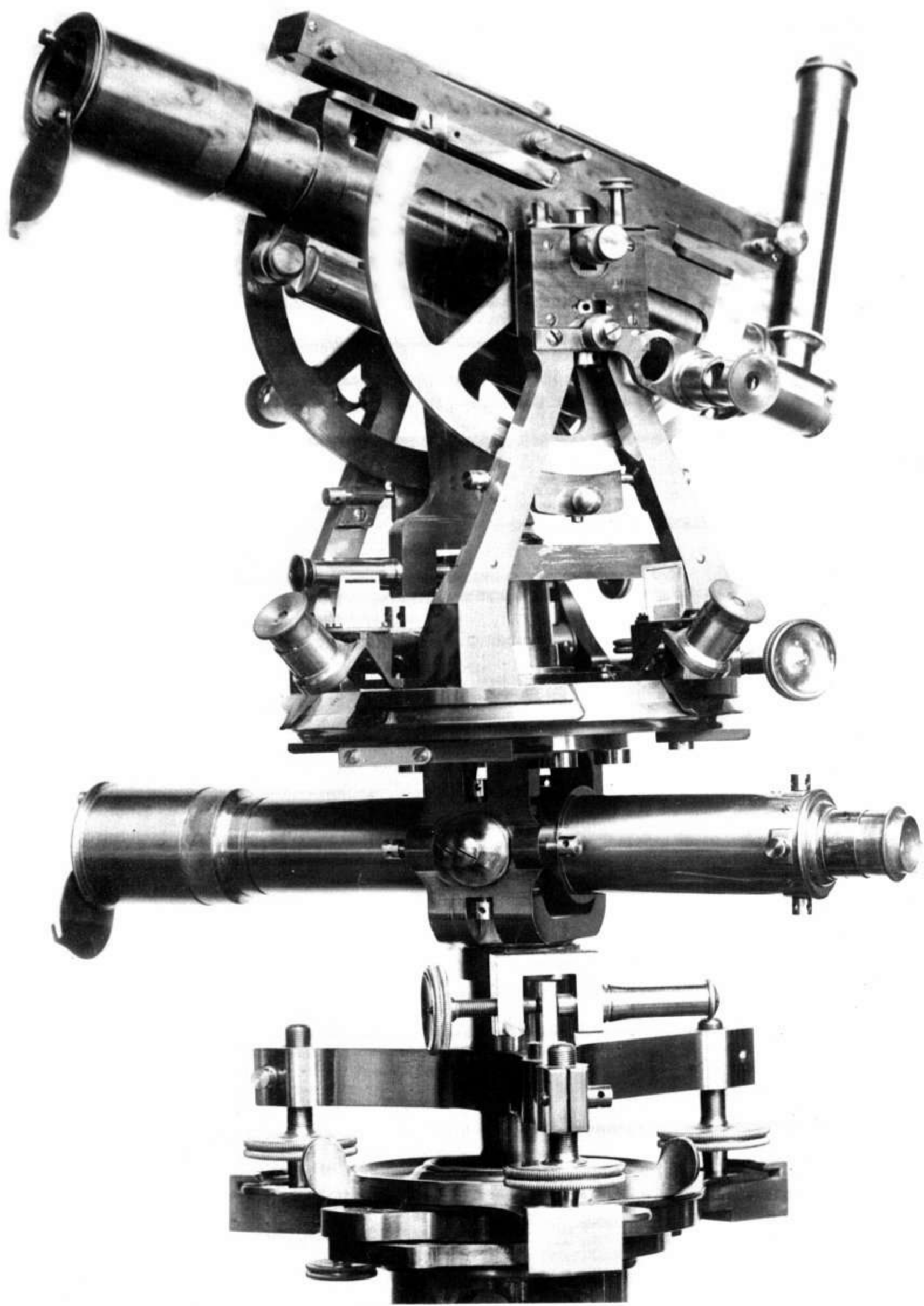
Fig. 7a.

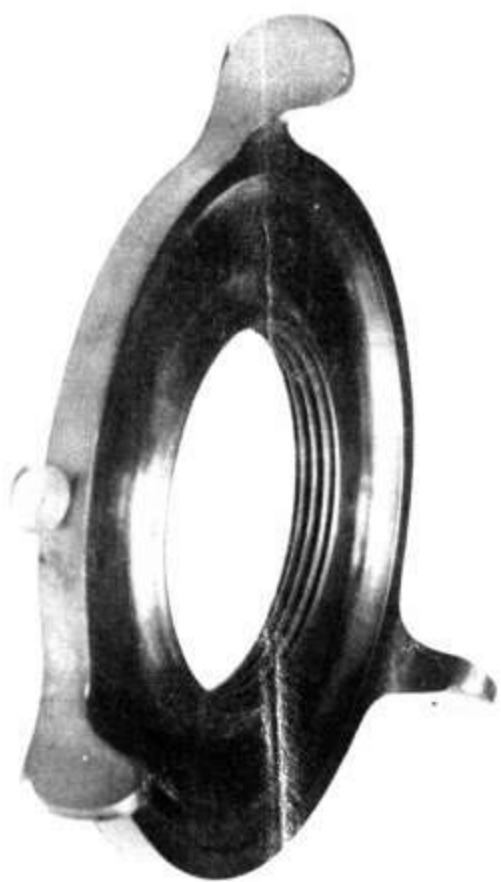
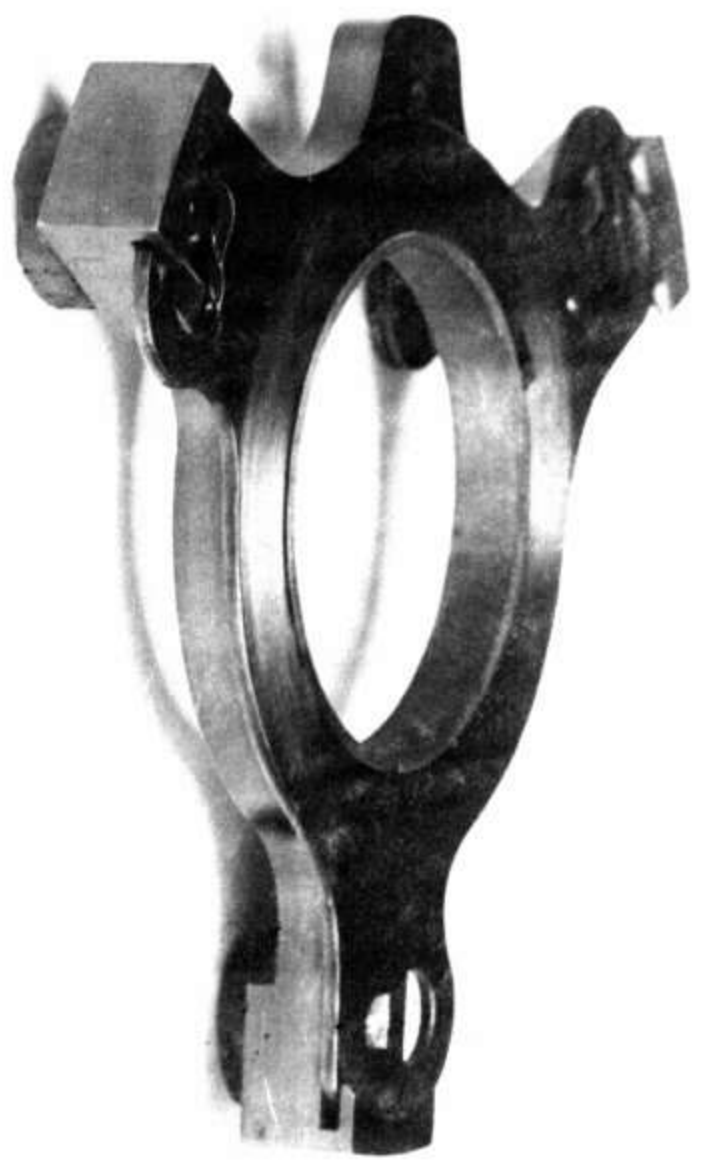
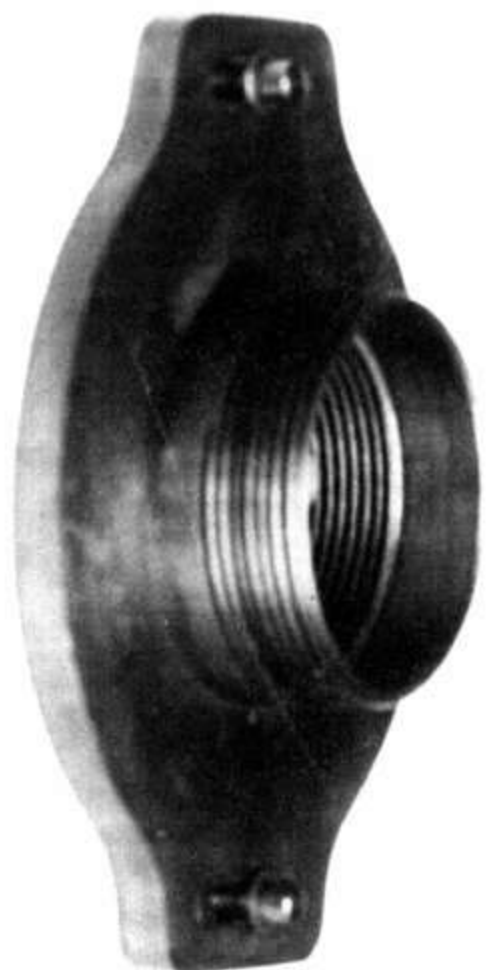


- | | | | |
|--|-----|---|---|
| 45. Eight-inch Theodolite, each circle read by two micrometer microscopes to 1" arc, pointer microscopes for reading the figures, aperture of object glass $1\frac{7}{8}$ ", focal length thirteen inches, supplied with three astronomical, and one diagonal eye-piece, eye-piece micrometer, three levels, &c., &c. (Fig. 8) ... | 90 | 0 | 0 |
| 46. Ten-inch Theodolite, each circle read by two micrometer microscopes to 1" arc, pointer microscopes for reading the figures, aperture of object glass 2 inches, focal length about 16 inches ... | 105 | 0 | 0 |
| 47. Twelve-inch Theodolite, each circle read by two micrometer microscopes to 1" arc, pointer microscopes for reading the figures, aperture of object glass $2\frac{1}{10}$ inches, focal length about 19 inches ... | 135 | 0 | 0 |

The above Instruments (45 to 47) are in general as represented by Fig. 8.

Layer photo of Hoskold's Mining Pioneer,
Colonial, and General Surveying Surveying
Theodolite, as exhibited at the Chicago Exhibition.
with 5 inch circle. Three verniers, reading to 20"
with prismatic reflector, for illuminating the
vernier readings. Two telescopes, axis level, lantern
and diagonal eyepieces. Also with circular, and
trough magnetic compasses, etc. &c. &c.





As made by

J. Troughton & Simms

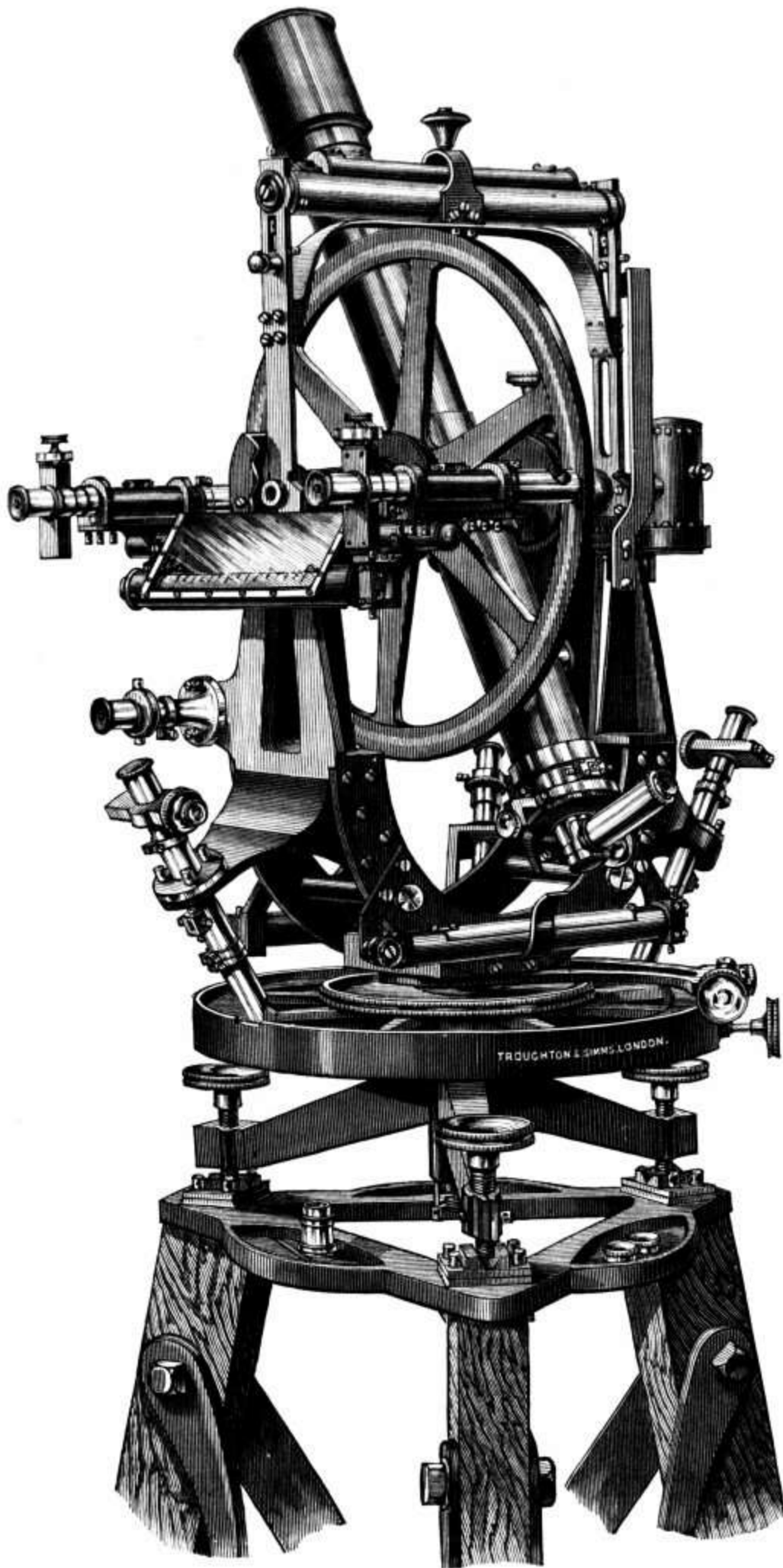
340 Newmarket R?

London, England

1897



Fig. 8.



ESTIMATES GIVEN FOR THEODOLITES OF LARGER SIZE.

Fig 8a.

